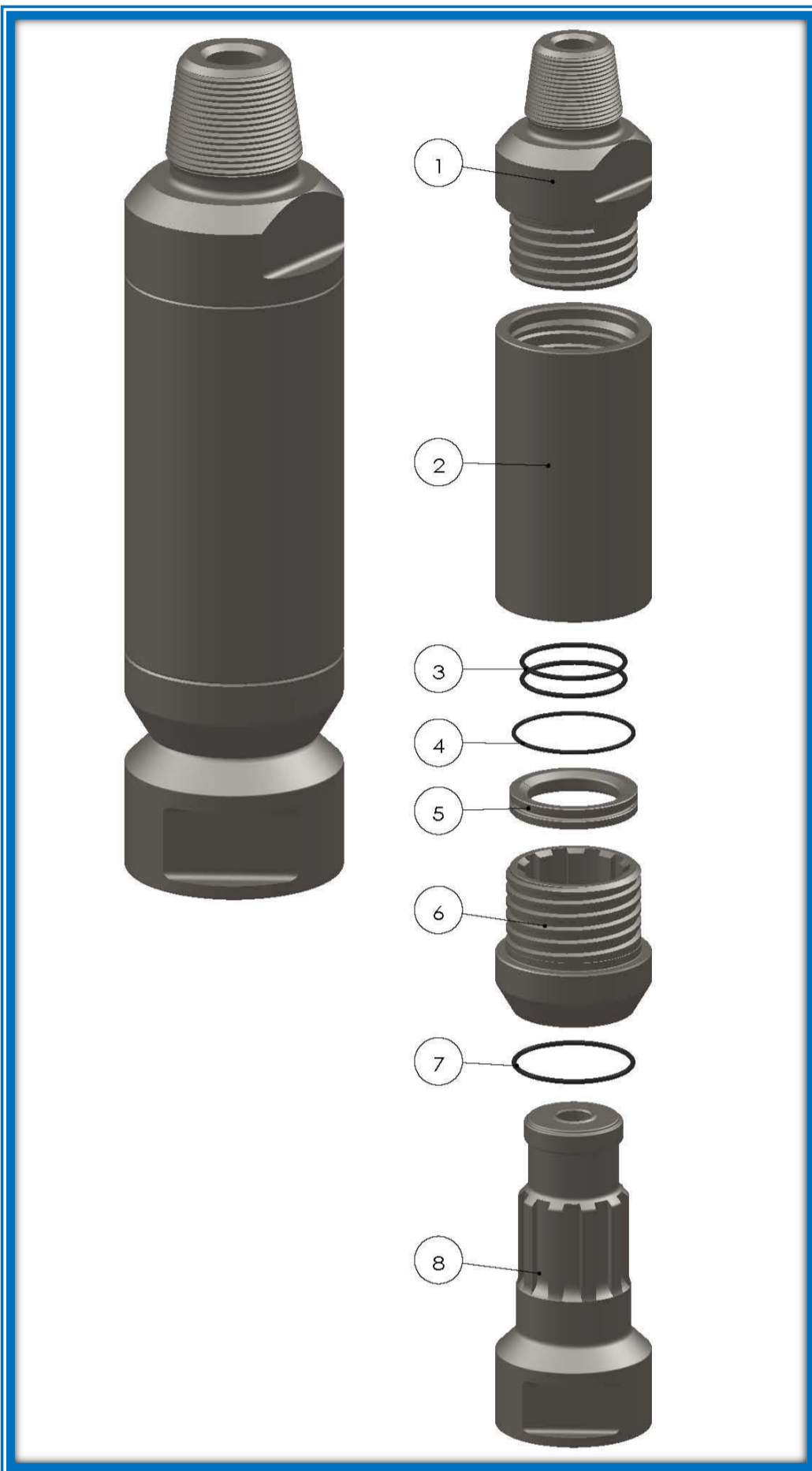


► Down the Hole Shock Absorber ◀



DHSA30 COMPONENT PART

Item #	Description	Q'ty	Part #
1	Top Sub	1	DHSA3001
2	Tube	1	DHSA3002
3	Tube O'ring	1	DHSA3003
4	S.T O'ring	1	DHSA3004
5	Shaft Stop Ring	1	DHSA3005
6	Drive Sub	1	DHSA3006
7	D.S O'ring	1	DHSA3007
8	Shaft	1	DHSA3008

DHSA40 COMPONENT PART

Item #	Description	Q'ty	Part #
1	Top Sub	1	DHSA4001
2	Tube	1	DHSA4002
3	Tube O'ring	1	DHSA4003
4	S.T O'ring	1	DHSA4004
5	Shaft Stop Ring	1	DHSA4005
6	Drive Sub	1	DHSA4006
7	D.S O'ring	1	DHSA4007
8	Shaft	1	DHSA4008

DHSA50 COMPONENT PART

Item #	Description	Q'ty	Part #
1	Top Sub	1	DHSA5001
2	Tube	1	DHSA5002
3	Tube O'ring	1	DHSA5003
4	S.T O'ring	1	DHSA5004
5	Shaft Stop Ring	1	DHSA5005
6	Drive Sub	1	DHSA5006
7	D.S O'ring	1	DHSA5007
8	Shaft	1	DHSA5008

DHSA60 COMPONENT PART

Item #	Description	Q'ty	Part #
1	Top Sub	1	DHSA6001
2	Tube	1	DHSA6002
3	Tube O'ring	1	DHSA6003
4	S.T O'ring	1	DHSA6004
5	Shaft Stop Ring	1	DHSA6005
6	Drive Sub	1	DHSA6006
7	D.S O'ring	1	DHSA6007
8	Shaft	1	DHSA6008

DHSA80 COMPONENT PART

Item #	Description	Q'ty	Part #
1	Top Sub	1	DHSA8001
2	Tube	1	DHSA8002
3	Tube O'ring	1	DHSA8003
4	S.T O'ring	1	DHSA8004
5	Shaft Stop Ring	1	DHSA8005
6	Drive Sub	1	DHSA8006
7	D.S O'ring	1	DHSA8007
8	Shaft	1	DHSA8008

DHSA100 COMPONENT PART

Item #	Description	Q'ty	Part #
1	Top Sub	1	DHSA10001
2	Tube	1	DHSA10002
3	Tube O'ring	1	DHSA10003
4	S.T O'ring	1	DHSA10004
5	Shaft Stop Ring	1	DHSA10005
6	Drive Sub	1	DHSA10006
7	D.S O'ring	1	DHSA10007
8	Shaft	1	DHSA10008

DHSA120 COMPONENT PART

Item #	Description	Q'ty	Part #
1	Top Sub	1	DHSA12001
2	Tube	1	DHSA12002
3	Tube O'ring	1	DHSA12003
4	S.T O'ring	1	DHSA12004
5	Shaft Stop Ring	1	DHSA12005
6	Drive Sub	1	DHSA12006
7	D.S O'ring	1	DHSA12007
8	Shaft	1	DHSA12008

DHSA180 COMPONENT PART

Item #	Description	Q'ty	Part #
1	Top Sub	1	DHSA18001
2	Tube	1	DHSA18002
3	Tube O'ring	1	DHSA18003
4	S.T O'ring	1	DHSA18004
5	Shaft Stop Ring	1	DHSA18005
6	Drive Sub	1	DHSA18006
7	D.S O'ring	1	DHSA18007
8	Shaft	1	DHSA18008



DHSA SPECIFICATIONS

	DHSA30		DHSA40		DHSA50		DHSA60	
	English	Metric	English	Metric	English	Metric	English	Metric
Effective Length	21.654"	550 mm	22.441"	570 mm	30.512"	775 mm	29.528"	750 mm
Outside Diameter	3.110"	79 mm	3.740"	95 mm	4.528"	115 mm	5.512"	140 mm
Net Weight	33.070 lbs.	15 kg	55.116 lbs.	25 kg	77.162 lbs.	35 kg	121.254 lbs.	55 kg
Connection	Std. 2-3/8" API REG PIN		Std. 2-3/8" API REG PIN		Std. 3-1/2" API REG PIN		Std. 3-1/2" API REG PIN	

	DHSA80		DHSA100		DHSA120		DHSA180	
	English	Metric	English	Metric	English	Metric	English	Metric
Effective Length	28.346"	720 mm	34.842"	885 mm	34.842"	885 mm	41.339"	1,050 mm
Outside Diameter	7.008"	178 mm	8.858"	225 mm	10.787"	274 mm	14.960"	380 mm
Net Weight	209.439 lbs.	95 kg	396.832 lbs.	180 kg	551.156 lbs.	250 kg	1,058.219 lbs.	480 kg
Connection	Std. 4-1/2" API REG PIN		Std. 6-5/8" API REG PIN		Std. 6-5/8" API REG PIN		Std. 8-5/8" API REG PIN	