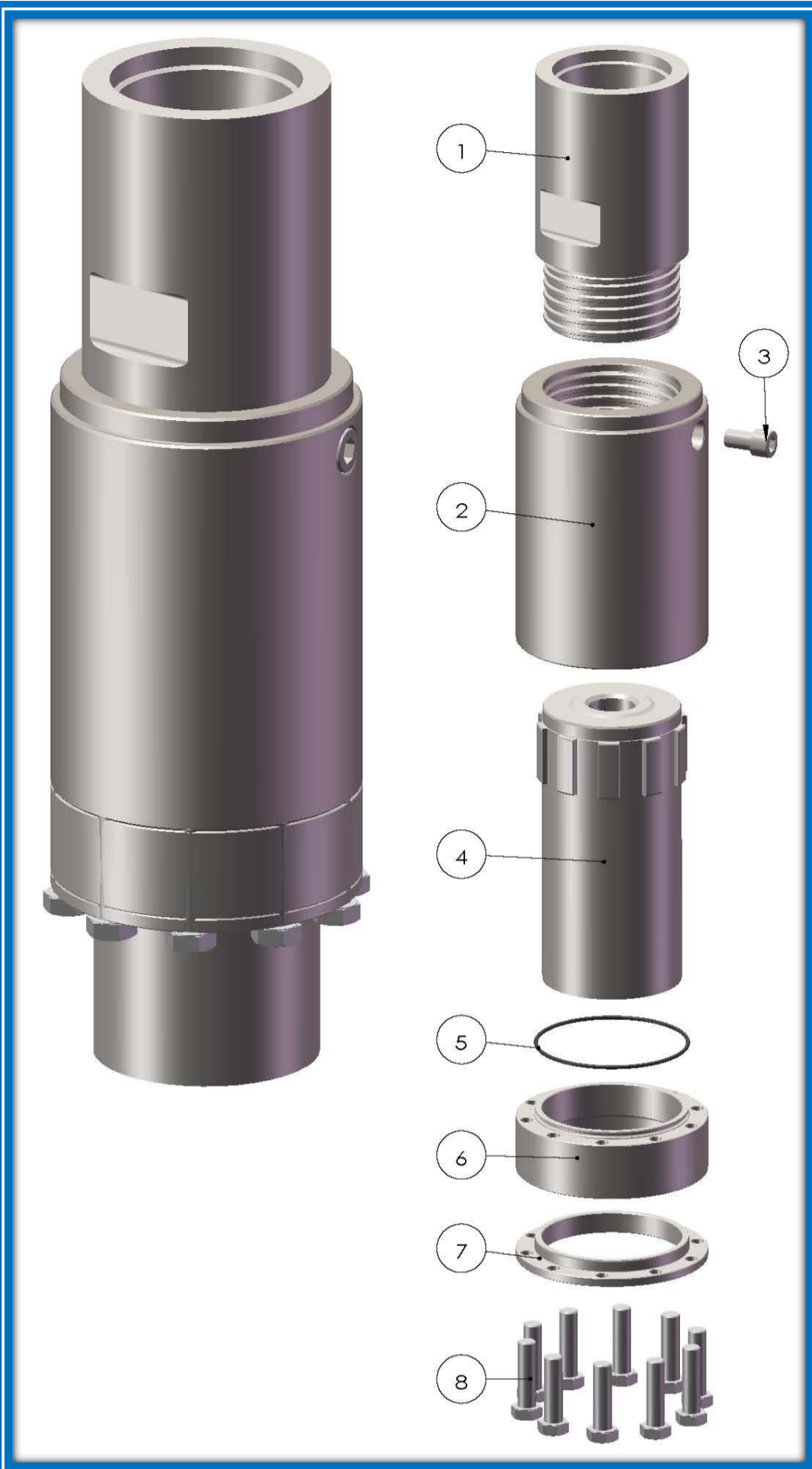


► Equipment Mounted Shock Absorber ◄



EMSA30 COMPONENT PART			
Item #	Description	Q'ty	Part #
1	Upper Adapter	1	EMSA3001
2	Tube	1	EMSA3002
3	Locking Bolt	1	EMSA3003
4	Shaft	1	EMSA3004
5	O'ring	1	EMSA3005
6	Flange 02	1	EMSA3006
7	Flange 01	1	EMSA3007
8	Fange Bolt	8	EMSA3008

EMSA40 COMPONENT PART			
Item #	Description	Q'ty	Part #
1	Upper Adapter	1	EMSA4001
2	Tube	1	EMSA4002
3	Locking Bolt	1	EMSA4003
4	Shaft	1	EMSA4004
5	O'ring	1	EMSA4005
6	Flange 02	1	EMSA4006
7	Flange 01	1	EMSA4007
8	Fange Bolt	10	EMSA4008

EMSA50 COMPONENT PART			
Item #	Description	Q'ty	Part #
1	Upper Adapter	1	EMSA5001
2	Tube	1	EMSA5002
3	Locking Bolt	1	EMSA5003
4	Shaft	1	EMSA5004
5	O'ring	1	EMSA5005
6	Flange 02	1	EMSA5006
7	Flange 01	1	EMSA5007
8	Fange Bolt	8	EMSA5008

EMSA60 COMPONENT PART			
Item #	Description	Q'ty	Part #
1	Upper Adapter	1	EMSA6001
2	Tube	1	EMSA6002
3	Locking Bolt	1	EMSA6003
4	Shaft	1	EMSA6004
5	O'ring	1	EMSA6005
6	Flange 02	1	EMSA6006
7	Flange 01	1	EMSA6007
8	Fange Bolt	10	EMSA6008

EMSA80 COMPONENT PART			
Item #	Description	Q'ty	Part #
1	Upper Adapter	1	EMSA8001
2	Tube	1	EMSA8002
3	Locking Bolt	1	EMSA8003
4	Shaft	1	EMSA8004
5	O'ring	1	EMSA8005
6	Flange 02	1	EMSA8006
7	Flange 01	1	EMSA8007
8	Fange Bolt	8	EMSA8008

EMSA100 COMPONENT PART			
Item #	Description	Q'ty	Part #
1	Upper Adapter	1	EMSA10001
2	Tube	1	EMSA10002
3	Locking Bolt	1	EMSA10003
4	Shaft	1	EMSA10004
5	O'ring	1	EMSA10005
6	Flange 02	1	EMSA10006
7	Flange 01	1	EMSA10007
8	Fange Bolt	10	EMSA10008

EMSA120 COMPONENT PART			
Item #	Description	Q'ty	Part #
1	Upper Adapter	1	EMSA12001
2	Tube	1	EMSA12002
3	Locking Bolt	1	EMSA12003
4	Shaft	1	EMSA12004
5	O'ring	1	EMSA12005
6	Flange 02	1	EMSA12006
7	Flange 01	1	EMSA12007
8	Fange Bolt	10	EMSA12008

EMSA180 COMPONENT PART			
Item #	Description	Q'ty	Part #
1	Upper Adapter	1	EMSA18001
2	Tube	1	EMSA18002
3	Locking Bolt	1	EMSA18003
4	Shaft	1	EMSA18004
5	O'ring	1	EMSA18005
6	Flange 02	1	EMSA18006
7	Flange 01	1	EMSA18007
8	Fange Bolt	12	EMSA18008



EMSA SPECIFICATIONS

	EMSA30		EMSA40		EMSA50		EMSA60	
	English	Metric	English	Metric	English	Metric	English	Metric
Effective Length	25.591"	650 mm	25.591"	650 mm	28.740"	730 mm	28.740"	730 mm
Outside Diameter	4.921"	125 mm	5.118"	130 mm	6.299"	160 mm	6.535"	166 mm
Net Weight	61.729 lbs.	28 kg	66.139 lbs.	30 kg	94.799 lbs.	43 kg	103.617 lbs.	47 kg
Connection	Std. 2-3/8" API REG BOX		Std. 2-3/8" API REG BOX		Std. 3-1/2" API REG BOX		Std. 3-1/2" API REG BOX	

	EMSA80		EMSA100		EMSA120		EMSA180	
	English	Metric	English	Metric	English	Metric	English	Metric
Effective Length	29.921"	760 mm	31.890"	810 mm	31.890"	810 mm	35.827'	910 mm
Outside Diameter	7.795"	198 mm	9.764"	248 mm	10.157"	258 mm	13.976"	355 mm
Net Weight	141.096 lbs.	64 kg	264.555 lbs.	120 kg	275.578 lbs.	125kg	1,036.173 lbs.	470 kg
Connection	Std. 4-1/2" API REG BOX		Std. 6-5/8" API REG BOX		Std. 6-5/8" API REG BOX		Std. 8-5/8" API REG BOX	